

Photoelectric Sensor



ZM Series

Instruction Manual

- ZD-M80 □□□
- ZR-M550 □□□
- ZT-M3000 □□□
- BGS-ZM10 □□□
- BGS-ZM30 □□□

- Thank you for purchasing the photoelectric sensor ZM Series. Please check the package and the contents before use.
- Carefully read the instruction manual to ensure correct operation of the product.
- Keep the instruction manual for future reference.

Specification

Detection system	Thru-beam type	Retro reflective type	Diffuse reflective type	BGS reflective type		
Model	2m Cable	ZT-M3000N ZT-M3000P	ZR-M550N ZR-M550P	ZD-M80N ZD-M80P	BGS-ZM10N BGS-ZM10P	BGS-ZM30N BGS-ZM30P
	M8 Connector	ZT-M3000CN4 ZT-M3000CP4	ZR-M550CN4 ZR-M550CP4	ZD-M80CN4 ZD-M80CP4	BGS-ZM10CN4 BGS-ZM10CP4	BGS-ZM30CN4 BGS-ZM30CP4
	M8(3-Pin) Connector	ZT-M3000CN3 ZT-M3000CP3	ZR-M550CN3 ZR-M550CP3	ZD-M80CN3 ZD-M80CP3	BGS-ZM10CN3 BGS-ZM10CP3	BGS-ZM30CN3 BGS-ZM30CP3
	M12 Connector	ZT-M3000N-M12 ZT-M3000P-M12	ZR-M550N-M12 ZR-M550P-M12	ZD-M80N-M12 ZD-M80P-M12	BGS-ZM10N-M12 BGS-ZM10P-M12	BGS-ZM30N-M12 BGS-ZM30P-M12
Detection range *1	30m	0.01 to 5.5m	800mm	20 to 100mm	20 to 300mm	
Light source	Visible light red LED					
Spot size	φ1200mm at 30m	φ300mm at 5.5m	φ40mm at 800mm	□6mm at 80mm	□19mm at 250mm	
Supply voltage	10 to 30V DC including Ripple (P-P) 10%					
Current consumption	Transmitter: 15mA max. Receiver: 15mA max.	18mA max.		28mA max.		
Response time	500 μs max.			500 μs max.		
Hysteresis	-		20% max.	3% max. [white paper: 100x100mm]	5% max. [white paper: 100x100mm]	
Operating mode	Light ON (ON at light entering) / Dark ON (ON at light blocked) switchable					
Control output	NPN/PNP Open collector 100mA/ 30V DC max.					
Ambient temp/humidity	At operation: -25 to +55° C/35 to 85% RH, At storage: -40 to +70° C/35 to 95% RH (No freeze and condensation)					
Ambient light	Sunlight: 10,000 lx max. , HF lamp: 3,000 lx max.					
Protection structure *2	IEC standard IP67 / DIN standard IP69K					

*1 The detection range for each model is as follows; Retro reflective type: with reflector V-61, Diffuse reflective type: with white paper 200x200mm, BGS type: with white paper 100x100mm.
*2 Cable type: IP69K in DIN standard, M8/M12connector type: IP67 in IEC standard according to connector specification.

CAUTION Safety Precautions

- Wiring and connecting/disconnecting with the power ON is dangerous. Ensure the work with the power OFF.
- Avoid the following places for use of the product.
 1. Place of much dusts
 2. Place generating a corrosive gas
 3. Place of direct vibration and/or shock
 4. Place of direct sunlight
 5. In water, outdoor
- This product is not explosion-proof type. Do not use the product near flammable, explosive gases or liquids.
- Keep sensor cables away from electric cables or power cables. Same wiring may generate induction, causing malfunction and/or breakage.
- In using a switching regulator, ensure correct grounding of frame ground terminal (FG).
- It takes 100ms for the sensor to become ready for detection after the power is on. Use the sensor after 100ms passed from power ON.
- Ensure to use the product under the rated voltage. Provide a safety measure such as safety circuit which can minimize a supposed risk when breakage should occur.
- Some using condition may cause high temperature in sensor surface, which may cause burns. Even low temperatures may cause burns; do not touch with bare hands.
- Avoid use of cleaning agent of high concentration, organic solvent, water spray of higher pressure than standard, for they deteriorate the protection structure of product.
- Never disassemble, repair or modify the product.

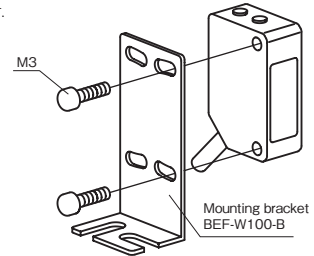
Do not use the product as a safe equipment to protect human body.

Mounting

- Use the cable extension of 0.3 mm or larger, and 100m or shorter.
- Tightening torque should be 0.5N·m max.

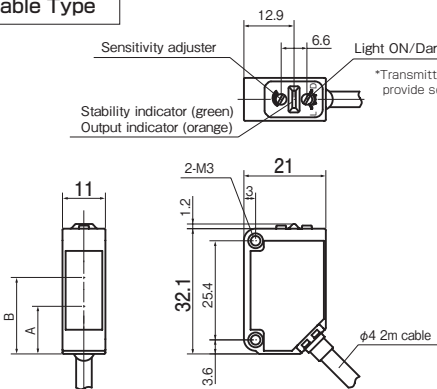
Mounting brackets [Material: SUS]

Model BEF-W100-A	Attached to M8 connector type
Model BEF-W100-B	Attached to cable/M12 connector type

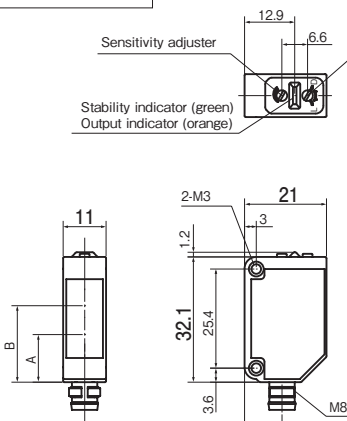


Dimensional outlines

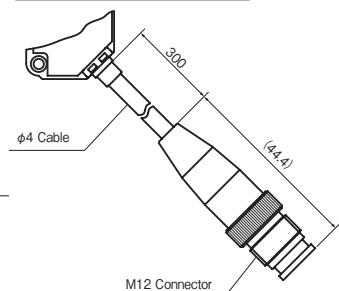
Cable Type



M8 Connector type



M12 connector type

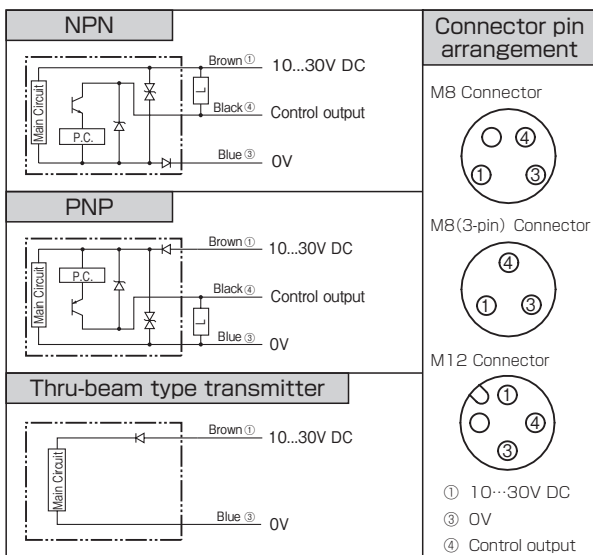


[Unit: mm]

*Transmitter of each type has different design, for they may not necessarily provide sensitivity adjuster, L.ON/D.ON switcher, and indication lamp.

*Transmitter of each type has different design, for they may not necessarily provide sensitivity adjuster, L.ON/D.ON switcher, and indication lamp.

Input/Output Circuit



Transmitting center (A)/Receiving center (B)

Detection system	A	B
Thru-beam type	19.6	19.6
Diffuse reflective type		19.1
Retro reflective type	12.2	19.6
BGS type(BGS-ZM10)	10.7	18.5...20.2
BGS type(BGS-ZM30)		18.5...20.5

- The product specifications are improved without notice.
- For inquiries/comments on the product, contact us to the following address:

OPTEX FA CO., LTD.

600-8815 Kyoto, Shimogyo, Awata Chudoji93, Japan
TEL. +81 (0)75-325-2920 FAX. +81 (0)75-325-2921

<http://www.optex-fa.jp>