

Incremental encoders

Compact optical	3610 / 3620 (shaft / hollow shaft)	Push-pull / RS422
------------------------	---	--------------------------



The compact incremental encoders type 3610 / 3620 with optical sensor technology are available with a resolution of up to 2500 pulses per revolution.

The versions with hollow shaft are designed for diameters up to 8 mm.



High rotational speed	Temperature range	Shock / vibration resistant	Short-circuit proof	Reverse polarity protection	Magnetic field proof	Optical sensor

Compact

- Only 36 mm outer diameter.
- Through hollow shaft up to 8 mm.
- Ideally suited for use where space is tight.

Versatile

- Available with cable outlet or M12 connector.
- Maximum resolution of 2500 pulses per revolution.
- Supply voltage 5 ... 18 V DC or 8 ... 30 V DC.

Order code Shaft version

8.3610	.	X	X	X	X	.	X	X	X	X
Type		a	b	c	d		e			

If for each parameter of an encoder the **underlined preferred option** is selected, then the delivery time will be 10 working days for a maximum of 10 pieces. Qts. up to 50 pcs. of these types generally have a delivery time of 15 working days.



a Flange

- 2 = synchro flange, ø 36.5 mm [1.44"]
- 3 = clamping flange, ø 36.5 mm [1.44"]**
- 8 = clamping / synchro flange, ø 36,8 mm [1.45"]

b Shaft (ø x L)

- 1 = ø 4 x 10 mm [0.16 x 0.39"]
- 2 = ø 5 x 10 mm [0.20 x 0.39"]
- 3 = ø 6 x 12.5 mm [0.24 x 0.49"], with flat**
- 5 = ø 1/4" x 12.5 mm [1/4" x 0.49"], with flat

c Output circuit / supply voltage

- 2 = push-pull (with inverted signal) / 5 ... 18 V DC
- 4 = push-pull (with inverted signal) / 8 ... 30 V DC**
- 3 = push-pull (without inverted signal) / 8 ... 30 V DC
- 6 = RS422 (with inverted signal) / 5 V DC
- 5 = RS422 (with inverted signal) / 8 ... 30 V DC

d Type of connection

- 1 = axial cable, 2 m [5.56'] PVC
- A = axial cable, special length PVC *)
- 2 = radial cable, 2 m [5.56'] PVC**
- B = radial cable, special length PVC *)
- 3 = axial M12 connector, 8-pin
- 4 = radial M12 connector, 8-pin
- *) Available special lengths (connection types A, B):
3, 5, 8, 10, 15 m [9.84, 16.40, 26.25, 32.80, 49.21']
order code expansion .XXXX = length in dm
ex.: 8.3610.334A.1024.0030 (for cable length 3 m)

e Pulse rate

- 10, 25, 100, **200**, 360, **500**, 512, 600, 1000, **1024**, 1250, 1500, 2000, **2048**, **2500**
- (e.g. 500 pulses => 0500)

Optional on request
- other pulse rates

Incremental encoders

Compact optical	3610 / 3620 (shaft / hollow shaft)	Push-pull / RS422
------------------------	---	--------------------------

Order code	8.3620	.XXXXX	.XXXX	<p>If for each parameter of an encoder the underlined preferred option is selected, then the delivery time will be 10 working days for a maximum of 10 pieces. Qts. up to 50 pcs. of these types generally have a delivery time of 15 working days.</p>
Hollow shaft	Type	a b c d	e	

a Flange
1 = with spring element, short
2 = with spring element, long
5 = with stator coupling, ø 46 mm [1.81"]

b Through hollow shaft
2 = ø 6 mm [0.24"]
4 = ø 8 mm [0.32"]
3 = ø 1/4"

c Output circuit / supply voltage
2 = push-pull (with inverted signal) / 5 ... 18 V DC
4 = push-pull (with inverted signal) / 8 ... 30 V DC
3 = push-pull (without inverted signal) / 8 ... 30 V DC
6 = RS422 (with inverted signal) / 5 V DC
5 = RS422 (with inverted signal) / 8 ... 30 V DC

d Type of connection
E = radial cable, 2 m [5.56'] PVC
B = radial cable, special length PVC *)
4 = radial M12 connector, 8-pin

*) Available special lengths (connection type B):
3, 5, 8, 10, 15 m [9.84, 16.40, 26.25, 32.80, 49.21']
order code expansion .XXXX = length in dm
ex.: 8.3620.224B.1024.0030 (for cable length 3 m)

e Pulse rate
10, 25, 100, 200, 360, 500, 512, 600,
1000, 1024, 1250, 1500, 2000, 2048,
2500
(e.g. 500 pulses => 0500)

Optional on request
- other pulse rates

Mounting accessory for shaft encoders		Order no.
Coupling	bellows coupling ø 15 mm [0.59"] for shaft 6 mm [0.24"]	8.0000.1202.0606
Connection technology		Order no.
Cordset, pre-assembled	M12 female connector with coupling nut, 8-pin, A coded, straight single-ended 2 m [6.56'] PVC cable	05.00.6041.8211.002M
Connector, self-assembly	M12 female connector with coupling nut, 8-pin, A coded, straight (metal)	05.CMB 8181-0

Further Kübler accessories can be found at: kuebler.com/accessories
Further Kübler cables and connectors can be found at: kuebler.com/connection-technology

Technical data				
Mechanical characteristics				
Maximum speed	shaft version	12000 min ⁻¹		
	hollow shaft version	6000 min ⁻¹		
Mass moment of inertia	approx. 0.2 x 10 ⁻⁶ kgm ²			
Starting torque - at 20 °C [68 °F]	< 0.05 Nm			
Shaft load capacity	radial	40 N		
	axial	20 N		
Weight	approx. 0.08 kg [2.82 oz]			
Protection acc. to EN 60529	housing side	IP65		
	flange side	IP50 (IP64 on request)		
Working temperature range	-20 °C ... +85 °C [-4 °F ... +185 °F]			
Materials	shaft	stainless steel		
	hollow shaft	brass		
	housing	aluminum		
	cable	PVC		
Shock resistance acc. to EN 60068-2-27	1000 m/s ² , 6 ms			
Vibration resistance acc. to EN 60068-2-6	100 m/s ² , 55 ... 2000 Hz			
Electrical characteristics				
Output circuit	RS422	Push-pull ¹⁾	Push-pull ¹⁾	
		(7272 comp.)	(7272 comp.)	
Supply voltage	5 V DC (±5%) or 8 ... 30 V DC	5 ... 18 V DC	8 ... 30 V DC	
Power consumption with inverted signal (no load)	typ. 40 mA / max. 90 mA	max. 40 mA	max. 40 mA	
Permissible load / channel	max. +/- 20 mA	max. +/- 20 mA	max. +/- 20 mA	
Pulse frequency	max. 300 kHz	max. 200 kHz	max. 200 kHz	
Signal level	HIGH	min. 2.5 V	min. +V - 2.5 V	min. +V - 3.0 V
	LOW	max. 0.5 V	max. 0.5 V	max. 0.5 V
Rising edge time t_r	max. 200 ns	max. 1 µs	max. 1 µs	
Falling edge time t_f	max. 200 ns	max. 1 µs	max. 1 µs	
Short circuit proof outputs ²⁾	yes	yes	yes	
Reverse polarity protection of the supply voltage	yes	yes	yes	
UL approval	file no. E224618			
CE compliant acc. to	EMC guideline 2014/30/EU RoHS guideline 2011/65/EU			

1) Max. recommended cable length 30 m [98.43'].
2) If supply voltage correctly applied.

Incremental encoders

Compact optical	3610 / 3620 (shaft / hollow shaft)	Push-pull / RS422
------------------------	---	--------------------------

Terminal assignment

Output circuit	Type of connection	Cable (isolate unused cores individually before initial start-up)								
2, 4, 5, 6 with inv. signal	1, 2, A, B, E	Signal:	0 V	+V	A	\bar{A}	B	\bar{B}	0	$\bar{0}$
		Core color:	WH	BN	GN	YE	GY	PK	BU	RD

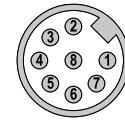
Output circuit	Type of connection	Cable (isolate unused cores individually before initial start-up)								
3 without inv. signal	1, 2, A, B, E	Signal:	0 V	+V	A	\bar{A}	B	\bar{B}	0	$\bar{0}$
		Core color:	WH	BN	GN	-	YE	-	GY	-

Output circuit	Type of connection	M12 connector, 8-pin								
2, 4, 5, 6 with inv. signal	3, 4	Signal:	0 V	+V	A	\bar{A}	B	\bar{B}	0	$\bar{0}$
		Pin:	1	2	3	4	5	6	7	8

Output circuit	Type of connection	M12 connector, 8-pin								
3 without inv. signal	3, 4	Signal:	0 V	+V	A	\bar{A}	B	\bar{B}	0	$\bar{0}$
		Pin:	1	2	3	-	5	-	7	-

- +V: Supply voltage encoder +V DC
- 0 V: Supply voltage encoder ground GND (0 V)
- A, \bar{A} : Incremental output channel A
- B, \bar{B} : Incremental output channel B
- 0, $\bar{0}$: Reference signal

Top view of mating side, male contact base



M12 connector, 8-pin

Incremental encoders

Compact optical

3610 / 3620 (shaft / hollow shaft)

Push-pull / RS422

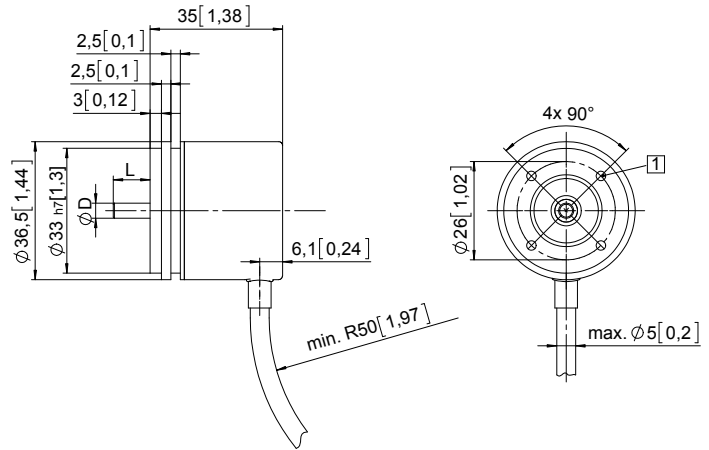
Dimensions shaft version

Dimensions in mm [inch]

Synchro flange, ø 36.5 [1.44]

Flange type 2

- 1 4 x M3, 5 [0.20] deep

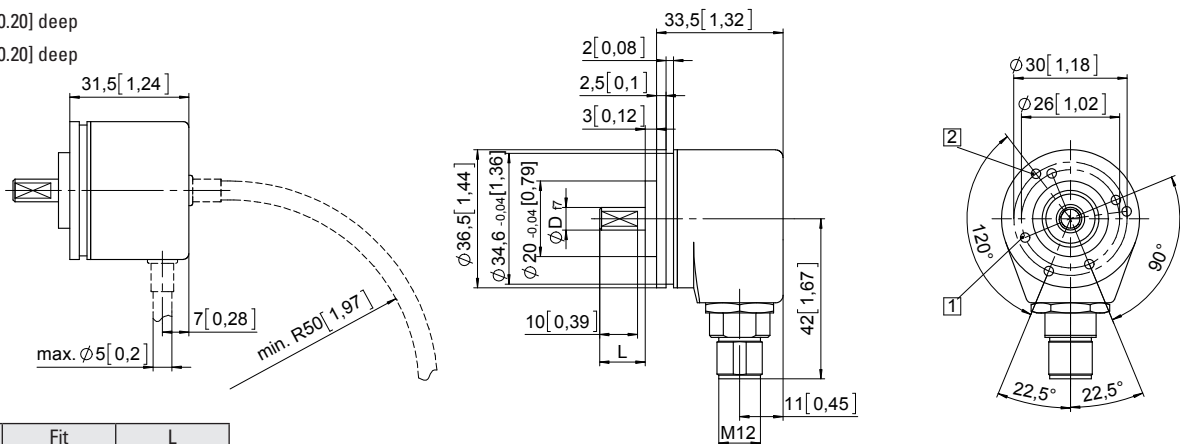


D	Fit	L
4 [0.16]	f7	10 [0.39]
5 [0.20]	f7	10 [0.39]
6 [0.24]	f7	12.5 [0.49]
1/4"	f7	12.5 [0.49]

Clamping / synchro flange, ø 36.5 [1.44]

Flange type 3

- 1 4 x M3, 5 [0.20] deep
- 2 3 x M3, 5 [0.20] deep

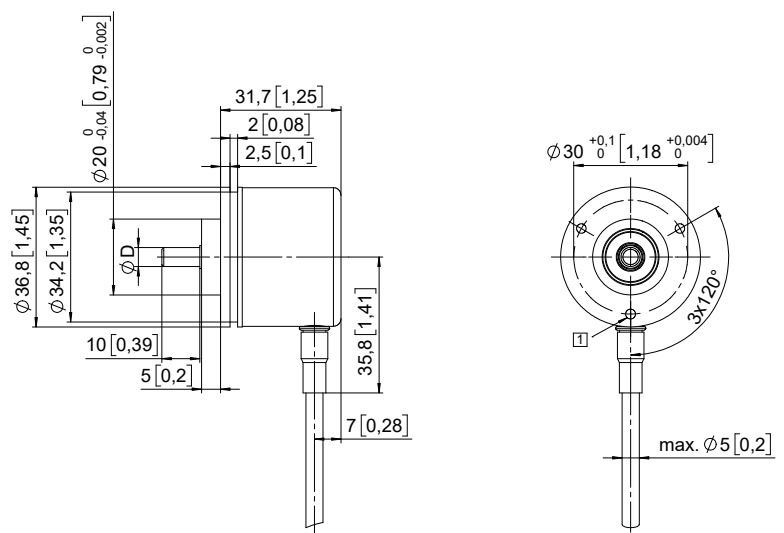


D	Fit	L
4 [0.16]	f7	10 [0.39]
5 [0.20]	f7	10 [0.39]
6 [0.24]	f7	12.5 [0.49]
1/4"	f7	12.5 [0.49]

Clamping/synchro flange, ø 36.8 [1.45]

Flange type 8

- 1 3 x M3, 6 [0.24] deep



D	Fit	L
4 [0.16]	f7	10 [0.39]
5 [0.20]	f7	10 [0.39]
6 [0.24]	f7	12.5 [0.49]
1/4"	f7	12.5 [0.49]

Incremental encoders

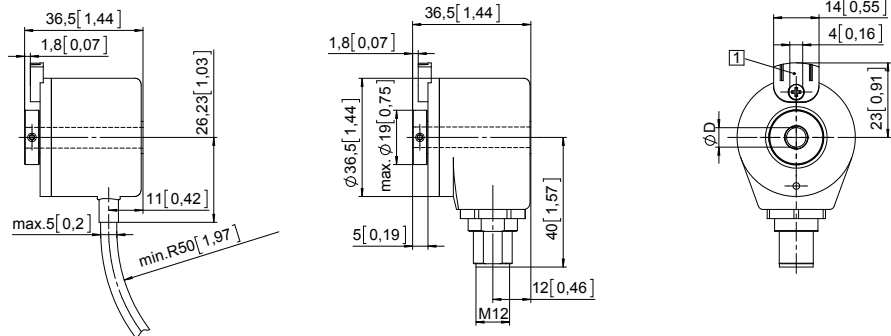
Compact optical	3610 / 3620 (shaft / hollow shaft)	Push-pull / RS422
------------------------	---	--------------------------

Dimensions hollow shaft version

Dimensions in mm [inch]

Flange with spring element, short Flange type 1

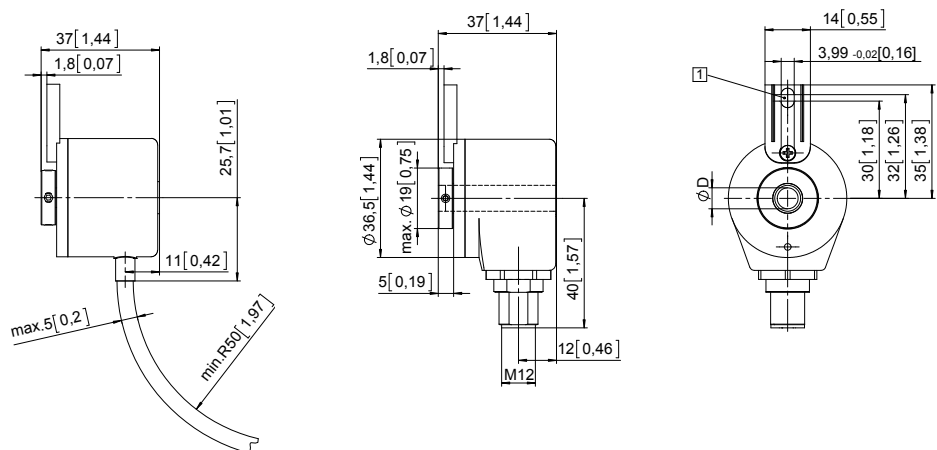
- 1 Slot spring element, recommendation: cylindrical pin DIN 7, \varnothing 4 [0.16]



D	Fit
6 [0.24]	H7
8 [0.32]	H7
1/4"	H7

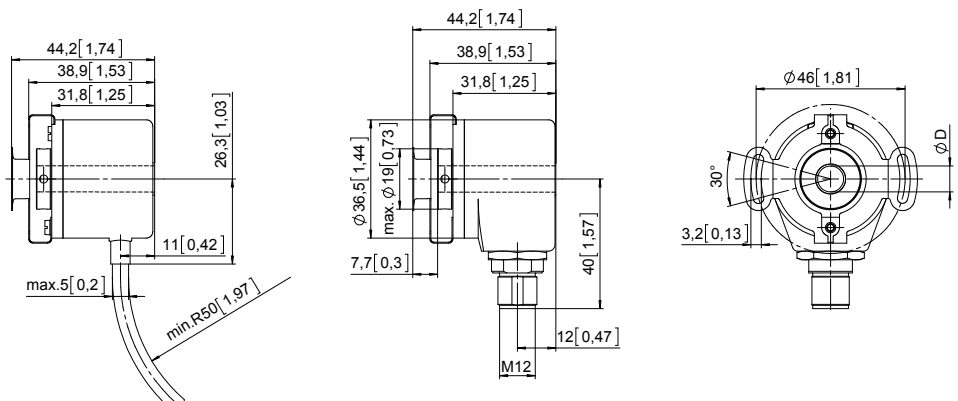
Flange with spring element, long Flange type 2

- 1 Slot spring element, recommendation: cylindrical pin DIN 7, \varnothing 4 [0.16]



D	Fit
6 [0.24]	H7
8 [0.32]	H7
1/4"	H7

Flange with stator coupling, \varnothing 46 [1.81] Flange type 5



D	Fit
6 [0.24]	H7
8 [0.32]	H7
1/4"	H7