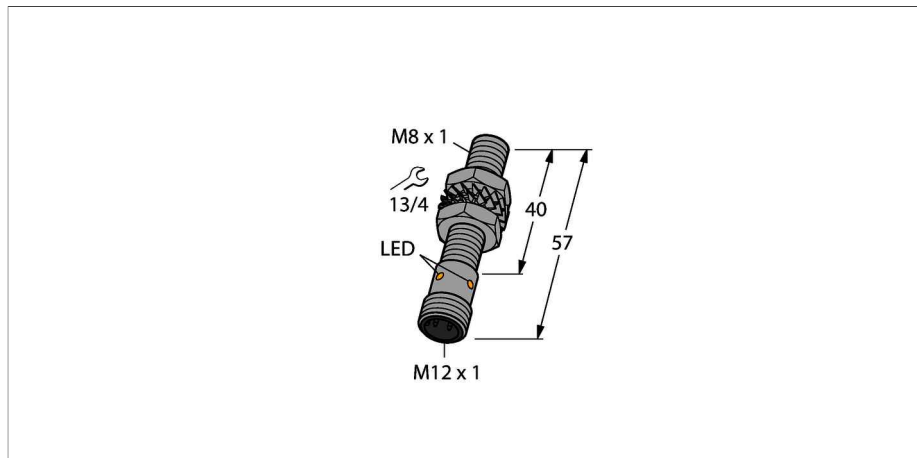


BI1.5U-EG08-AP6X-H1341

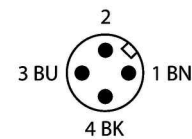
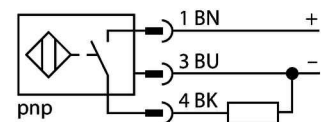
Inductive sensor



Features

- Threaded barrel, M8 x 1
- Stainless steel, 1.4427 SO
- Factor 1 for all metals
- Protection class IP68
- Resistant to magnetic fields
- Extended temperature range
- High switching frequency
- DC 3-wire, 10...30 VDC
- NO contact, PNP output
- M12 x 1 male connector

Wiring diagram



Inductive sensors detect metal objects contactless and wear-free. *uprox*® Factor 1 sensors have significant advantages due to their patented ferrite-coreless multicoil system. They detect all metals at the same large switching distance and are resistant to magnetic fields.

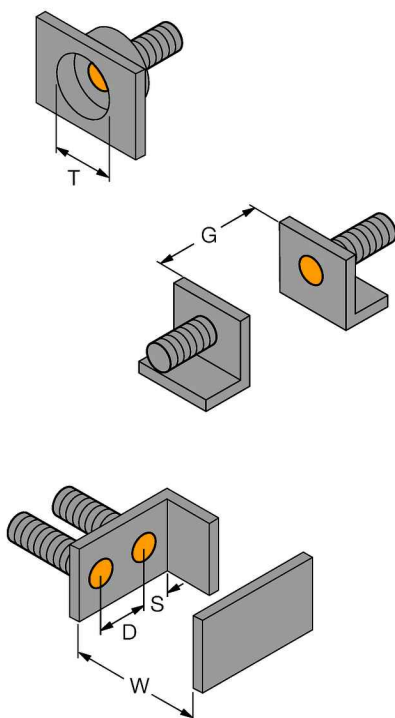
Technical data

| | |
|---|---|
| Type | BI1.5U-EG08-AP6X-H1341 |
| ID number | 4600540 |
| Rated switching distance | 1.5 mm |
| Mounting conditions | Flush |
| Secured operating distance | $\leq (0,81 \times S_n)$ mm |
| Repeat accuracy | $\leq 2\%$ of full scale |
| Temperature drift | $\leq \pm 10\%$ |
| | $\leq \pm 15\%, \leq -25\text{ °C} \vee \geq +70\text{ °C}$ |
| Hysteresis | 3...15 % |
| Ambient temperature | -30...+85 °C |
| Operating voltage | 10...30 VDC |
| Residual ripple | $\leq 10\% U_{ss}$ |
| DC rated operational current | $\leq 150\text{ mA}$ |
| No-load current | $\leq 15\text{ mA}$ |
| Residual current | $\leq 0.1\text{ mA}$ |
| Isolation test voltage | $\leq 0.5\text{ kV}$ |
| Short-circuit protection | yes / Cyclic |
| Voltage drop at | $\leq 1.8\text{ V}$ |
| Wire breakage/Reverse polarity protection | yes / Complete |
| Output function | 3-wire, NO contact, PNP |
| Protection class | ☐ |
| Switching frequency | 2 kHz |
| Design | Threaded barrel, M8 x 1 |
| Dimensions | 57 mm |
| Housing material | Stainless steel, 1.4427 SO |
| Active area material | Plastic, PA12-GF30 |
| Max. tightening torque housing nut | 5 Nm |

Technical data

| | |
|-----------------------|---|
| Electrical connection | Connector, M12 x 1 |
| Vibration resistance | 55 Hz (1 mm) |
| Shock resistance | 30 g (11 ms) |
| Protection class | IP68 |
| MTTF | 874 years acc. to SN 29500 (Ed. 99) 40 °C |
| Switching state | LED yellow |

Mounting instructions/Description



| | |
|------------------------|---------|
| Distance D | 2 x B |
| Distance W | 3 x Sn |
| Distance T | 3 x B |
| Distance S | 1.5 x B |
| Distance G | 6 x Sn |
| Diameter active area B | Ø 8 mm |

Mounting accessories

QM-08 6945100

Quick-mount bracket with dead-stop, chrome-plated brass, male thread M12 x 1. Note: The switching distance of proximity switches may be reduced through the use of quick-mount brackets.

BST-08B 6947210

Fixing clamp for threaded barrel devices, with dead-stop; material: PA6

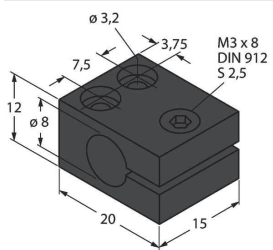
MW-08 6945008

Mounting bracket for threaded barrel devices; material: Stainless steel A2 1.4301 (AISI 304)

BSS-08 6901322

Mounting bracket for smooth and threaded barrel devices; material: Polypropylene

MBS80 69479



Mounting bracket for threaded barrel devices; material mounting block: Anodized aluminium

Wiring accessories

| Type | ID number | |
|------|----------------|--|
| | 6935482 | Connection cable, M12 connector, female, straight, 3-pin, cable length: 2 m, sheath material: PVC, grey; temperature range: -25...+80 °C (in resting state), 0...+80 °C (in motion); other cable lengths and types available, see www.turck.com |
| | 6934384 | Connection cable, M12 connector, female, straight, 3-pin, cable length: 2 m, sheath material: TPE, grey; temperature range: -40...+105 °C (in resting state), -25...+105 °C (in motion); other cable lengths and types available, see www.turck.com |