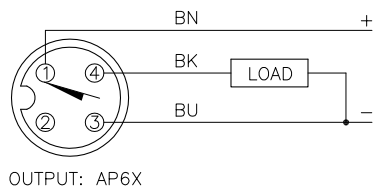
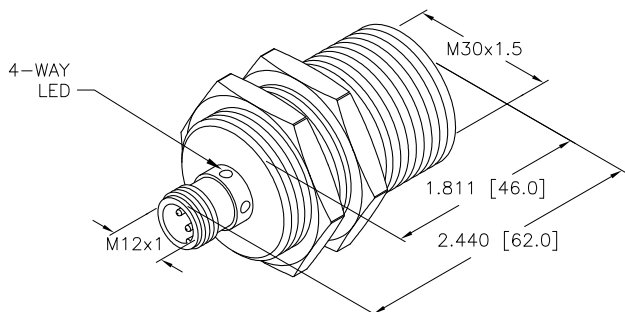
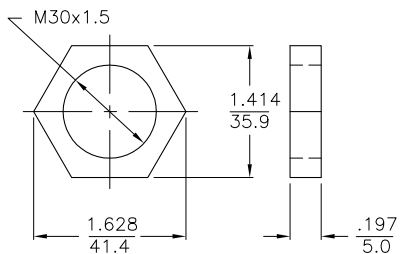


WIRING DIAGRAM



SHORT-CIRCUIT AND OVERLOAD PROTECTED

LOCKNUT LN-M30



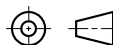
SPECIFICATIONS

|                             |                                  |
|-----------------------------|----------------------------------|
| RATED OPERATING DISTANCE    | 15mm = .591" (NOMINAL)           |
| MOUNTING MODE               | FLUSH                            |
| REPEATABILITY               | ≤ 2%                             |
| TEMPERATURE DRIFT           | ≤ ± 10%                          |
| HYSTERESIS                  | 3-15%                            |
| AMBIENT TEMPERATURE         | -25°C to +70°C (-13°F to +158°F) |
| OPERATING VOLTAGE           | 10-30 VDC                        |
| RESIDUAL RIPPLE             | ≤ 10%                            |
| RATED OPERATIONAL CURRENT   | ≤ 200 mA                         |
| NO-LOAD CURRENT             | ≤ 15 mA                          |
| RESIDUAL CURRENT            | ≤ 0.1 mA                         |
| RATED INSULATION VOLTAGE    | ≤ 0.5 kV                         |
| SHORT-CIRCUIT PROTECTION    | YES                              |
| MAX. VOLTAGE DROP           | ≤ 1.8 V                          |
| WIRE BREAK PROTECTION       | INCORPORATED                     |
| REVERSE POLARITY PROTECTION | INCORPORATED                     |
| OUTPUT FUNCTION             | 3-WIRE, NORMALLY OPEN, PNP       |
| SWITCHING FREQUENCY         | ≤ 0.3 kHz                        |
| HOUSING MATERIAL            | CHROME PLATED BRASS              |
| ACTIVE FACE                 | PLASTIC, PA12-GF20               |
| CONNECTION                  | M12x1                            |
| VIBRATION RESISTANCE        | 55 Hz (IN ALL 3 PLANES)          |
| SHOCK RESISTANCE            | 30 g, 11 ms                      |
| PROTECTION DEGREE           | IP67                             |
| SWITCHING STATUS INDICATION | LED; YELLOW                      |

RELATED DOCUMENTS

- 1.
- 2.
- 3.
- 4.

3RD ANGLE PROJECTION



THIS DRAWING IS PROPERTY OF TURCK INC. USE OF THIS DOCUMENT WITHOUT WRITTEN PERMISSION IS PROHIBITED.

**TURCK INC**  
High Technology Sensors and Automation Controls

3000 CAMPUS DRIVE  
MINNEAPOLIS, MN 55441  
1-800-544-7769  
(763) 553-7300  
(763) 553-0708 fax  
turck.com

MATERIAL  
SEE SPECS

FINISH  
SEE SPECS

ALL DIMENSIONS DISPLAYED ON THIS DRAWING ARE FOR REFERENCE ONLY

CONTACT TURCK FOR MORE INFORMATION

DRFT IK DATE 07/13/98  
DSGN SCALE 1=1.5

UNIT OF MEASUREMENT  
**INCH [ MILLIMETER ]**

DO NOT SCALE THIS DRAWING

DESCRIPTION  
Bi15-M30-AP6X-H1141

IDENTIFICATION NO. T4618500  
REV A

|     |                 |     |          |         |
|-----|-----------------|-----|----------|---------|
| A   | DRAWING RELEASE | CBM | 09/28/99 |         |
| REV | DESCRIPTION     | BY  | DATE     | ECO NO. |