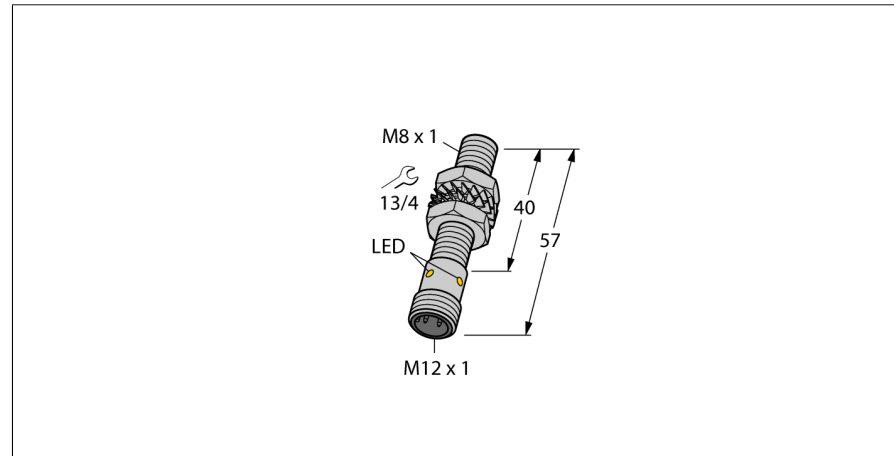


Inductive sensor

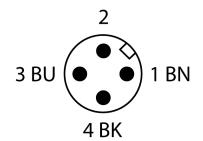
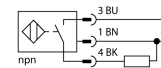
With increased switching distance

BI2-EG08-AN6X-H1341



- Threaded barrel, M8 x 1
- Stainless steel, 1.4427 SO
- Large sensing range
- DC 3-wire, 10...30 VDC
- NO contact, NPN output
- M12 x 1 male connector

Wiring diagram



Functional principle

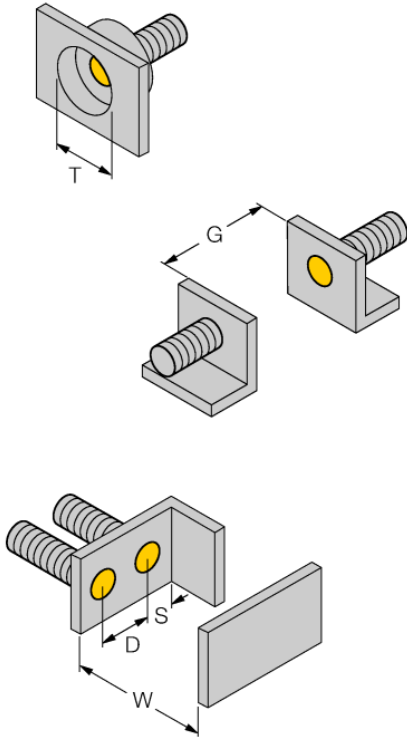
Inductive sensors detect metal objects contactless and wear-free. For this, they use a high-frequency electromagnetic AC field that interacts with the target. Inductive sensors generate this field via an RLC circuit with a ferrite coil.

| | |
|---|---|
| Type code | BI2-EG08-AN6X-H1341 |
| Ident-No. | 4602160 |
| Ident-No (TUSA) | S4602160 |
| Rated switching distance Sn | 2 mm |
| Mounting conditions | flush |
| Assured switching distance | $\leq (0,81 \times S_n)$ mm |
| Correction factors | St37 = 1; Al = 0.3; stainless steel = 0.7; Ms = 0.4 |
| Repeatability | $\leq 2\%$ of full scale |
| Temperature drift | $\leq \pm 10\%$ |
| Hysteresis | 3...15 % |
| Ambient temperature | -25...+70 °C |
| Operating voltage | 10... 30VDC |
| Residual ripple | $\leq 10\% U_{in}$ |
| DC rated operational current | ≤ 150 mA |
| No-load current I_0 | ≤ 15 mA |
| Residual current | ≤ 0.1 mA |
| Rated insulation voltage | ≤ 0.5 kV |
| Short-circuit protection | yes/ cyclic |
| Voltage drop at I_0 | ≤ 1.8 V |
| Wire breakage / Reverse polarity protection | yes/ complete |
| Output function | 3-wire, NO contact, NPN |
| Switching frequency | 3 kHz |
| Construction | threaded barrel, M8 x 1 |
| Dimensions | 57 mm |
| Housing material | stainless steel, 1.4427 SO |
| Material active area | plastic, PA |
| Max. tightening torque housing nut | 5 Nm |
| Connection | male, M12 x 1 |
| Vibration resistance | 55 Hz (1 mm) |
| Shock resistance | 30 g (11 ms) |
| IP Rating | IP67 |
| MTTF | 2283 years acc. to SN 29500 (Ed. 99) 40 °C |
| Switching state | LED yellow |

Inductive sensor
With increased switching distance
BI2-EG08-AN6X-H1341

| | |
|------------|---------|
| Distance D | 2 x B |
| Distance W | 3 x Sn |
| Distance T | 3 x B |
| Distance S | 1.5 x B |
| Distance G | 6 x Sn |

Diameter of the active area B \varnothing 8 mm



Inductive sensor
With increased switching distance
BI2-EG08-AN6X-H1341



Accessories

| Type code | Ident-No. | Description | Design |
|-----------|-----------|--|--------|
| QM-08 | 6945100 | Quick-mount bracket with dead-stop, chrome-plated brass, male thread M12 x 1. Note: The switching distance of proximity switches may be reduced through the use of quick-mount brackets. | |
| BST-08B | 6947210 | Fixing clamp for threaded barrel devices, with dead-stop; material: PA6 | |
| MW-08 | 6945008 | Mounting bracket for threaded barrel devices; material: Stainless steel A2 1.4301 (AISI 304) | |
| BSS-08 | 6901322 | Mounting bracket for smooth and threaded barrel devices; material: Polypropylene | |

Wiring accessories

| Type code | Ident-No. | Description | Design |
|--------------|-----------|-------------|--------|
| RKH4.4-2/TFE | 6934473 | | |