

## EZ-LIGHT® TL50 Basic Tower Light



Bright, uniform lighted segments. Rugged, cost-effective, and easy-to-install. Illuminated segments provide easy-to-see operator guidance and indication of equipment status.



### Technical Parameters

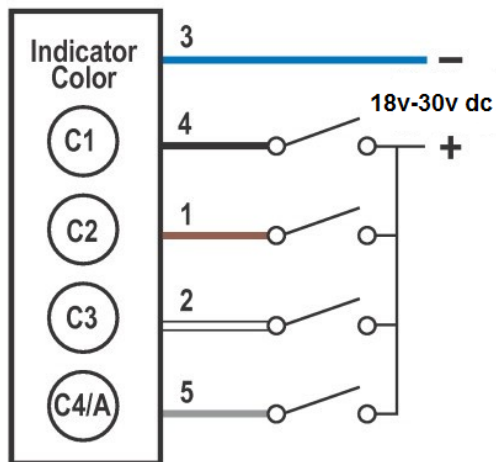
1. Supply Voltage: 18 V dc to 30 V dc
2. Input Type: Bimodal (PNP/NPN)
3. Primary Window Material: Polycarbonate Diffused
4. Storage Temp (°C) : -40 to +70
5. Environmental Rating: IP54
6. Operating Temp (°C) : -20 to +50
7. Number of Colors Available: 3 Colors (Green Yellow Red)
8. Number of Tower Light Segments: 4 (Including buzzer)
9. Primary Housing Color: Black
10. Audible Alarm Type: Continuous
11. Audible Operating Frequency (kHz): 2.7
12. Min Audible Intensity (dB at 1m) : 92
13. Max Current - Audible Alarm (mA) : 25
14. Certification: CE

## Product Model

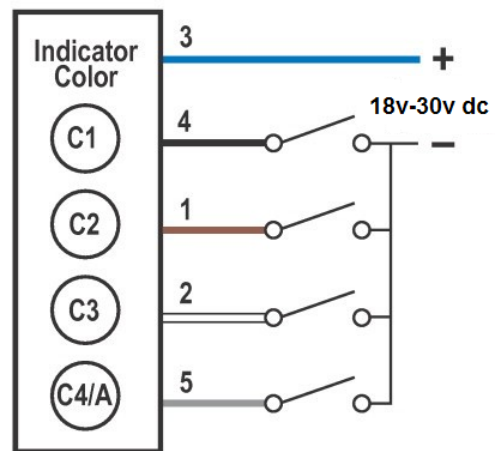
Serial number	P/N	Model
1	809295	TL50B-GYRAQBSZ (5-pin M12 QD)
2	808676	TL50B-GYRABSZ (2 m integral cable)

## Wiring Diagram

### PNP Input



### NPN Input



Key:

1 = Brown

2 = White

3 = Blue

4 = Black

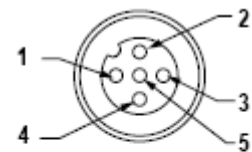
5 = Gray

C1 = Green

C2 = Yellow

C3 = Red

C4/A = Audible



1 = Brown

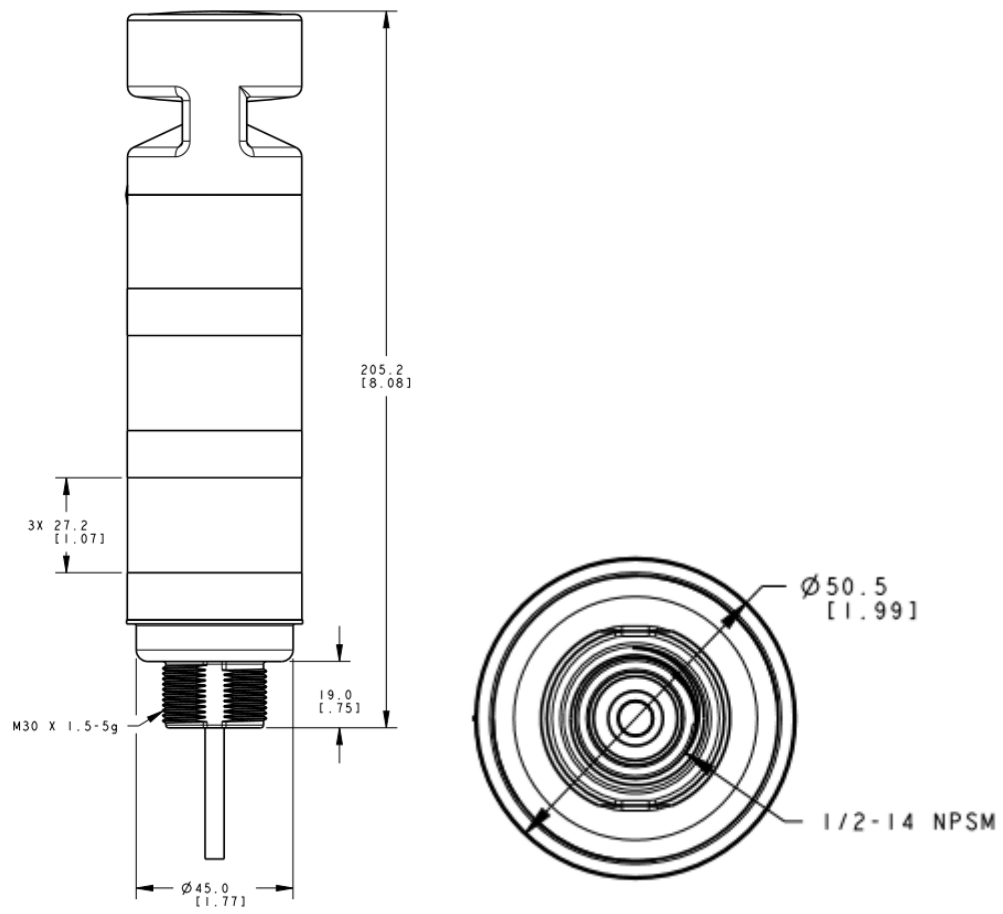
2 = White

3 = Blue

4 = Black

5 = Gray

# Dimensions



Banner Engineering Corp. All rights reserved

邦纳中国 [www.bannerengineering.com.cn](http://www.bannerengineering.com.cn) - Tel: + 021-24226888

PN214411 REV F