

# Time and light control

## Analogue time switching modules, Switching segments



SUL 184 FM WM

### Description

#### Common functions

- Analogue time switching modules
- 1 channel
- Daily program
- 96 switching segments
- Shortest switching time: 15 minutes
- Clock hands for time display
- Switching preselection
- Permanent ON/OFF switch
- Switching status display
- Simple summer/winter time correction

#### SUL 184 FM WM

- For wall mounting
- With power reserve
- Quartz controlled

### Product selection

Program	Number of channels	Shortest switching times	Type of contact	Product type	Power reserve	Operating voltage	Type	Article number
Daily program	1	15 min	Changeover contact		3 days	110–230 V AC	SUL 184 FM WM	1840200

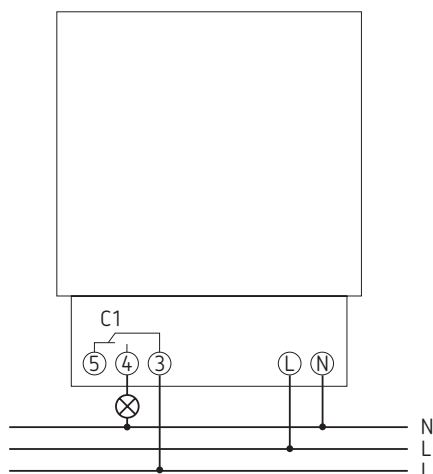
# Time and light control

## Analogue time switching modules, Switching segments

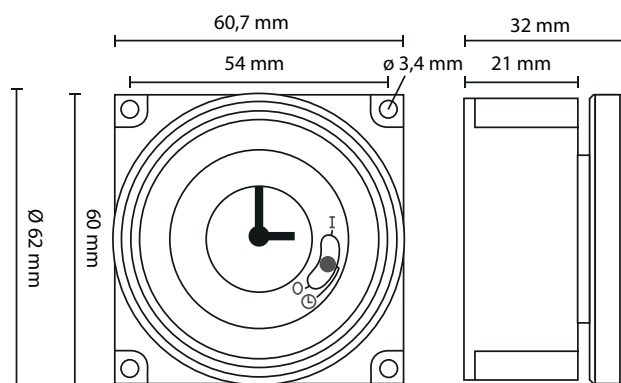
### Technical data

	SYN 164 FM	SUL 184 FM	SYN 164 FM WM	SUL 184 FMWM	SYN 164 FME	SUL 184 FME
Operating voltage	230 V AC	110–230 V AC	230 V AC	110–230 V AC	230 V AC	110–230 V AC
Frequency	50 Hz	50–60 Hz	50 Hz	50–60 Hz	50 Hz	50–60 Hz
Installation type	Single unit		Wall mounting		Built-in version	
Program	Daily program					
Power reserve	–	3 days	–	3 days	–	3 days
Switching capacity at 250 V AC, $\cos \varphi = 1$	16 A					
Switching capacity at 250 V AC, $\cos \varphi = 0,6$	8 A					
Shortest switching times	15 min					
Programmable every	15 min					
Time accuracy at 25 °C	Synchronised with mains	$\leq \pm 1,5$ s/day (quartz)	Synchronised with mains	$\leq \pm 1,5$ s/day (quartz)	Synchronised with mains	$\leq \pm 1,5$ s/day (quartz)
Stand-by consumption	0,9 W	0,6 W	0,9 W	0,6 W	0,9 W	0,6 W
Type of protection	IP 20					
Protection class	II according to EN 60 730-1					
Ambient temperature	–20 °C ... +55 °C					

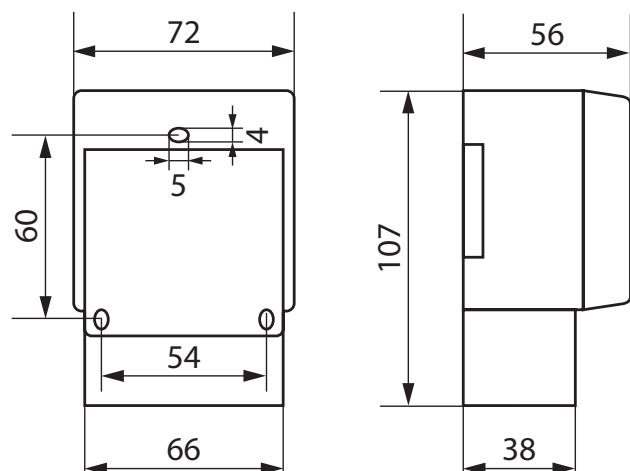
### Connection diagram



### Scale drawings (SYN 164 FM/SUL 184 FM)



### Scale drawings (SYN 164 FM WM/SUL 184 FM WM)



### Scale drawings (SYN 164 FME/SUL 184 FME)

