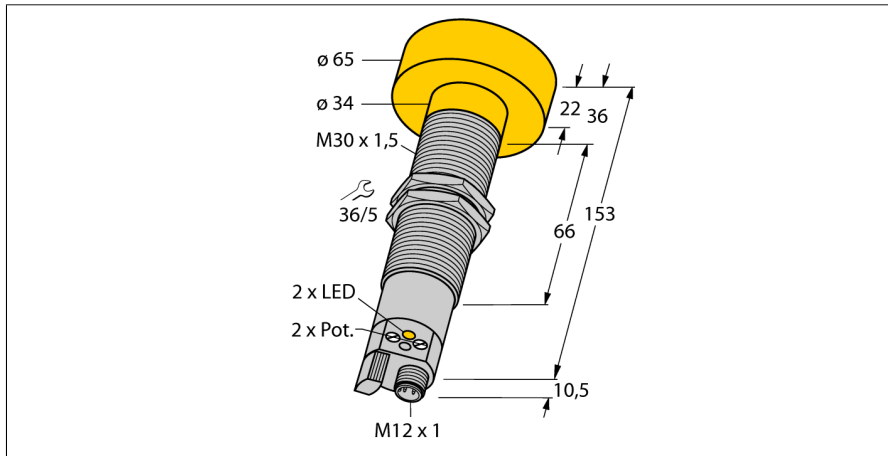
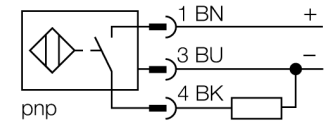


**ultrasonic sensor  
diffuse mode sensor  
RU600-M3065-AP8X-H1141**



- Lower and upper switching value adjustable via potentiometer
- PNP transistor output (NO contact)
- Opening angle of sonic cone 6°

**Wiring diagram**



**Functional principle**

Ultrasonic sensors use ultrasonic waves for non-contact and wear-free detection of many objects. Regardless of whether the object is transparent or opaque, metallic or non-metallic, or of liquid, solid or powdery consistency. Even environmental conditions such as spray, dust or rain hardly affect their function.

<b>Type code</b>	RU600-M3065-AP8X-H1141
Ident no.	18304
<b>Design</b>	cylindrical/threaded, M30
Dimensions	Ø65 x 163.5 mm
Housing material	metal, CuZn, nickel-plated
Connection	male, M12 x 1
Protection class	IP65
Ambient temperature	-25...+70 °C
<b>Switching state</b>	LED
<b>Operating voltage</b>	20...30VDC
DC rated operational current	δ 300 mA
No-load current I <sub>0</sub>	δ 50 mA
Output function	NO contact, PNP
Switching frequency	1 Hz
Hysteresis	δ 60 mm
Voltage drop at I <sub>0</sub>	δ 3 V
Short-circuit protection	yes/ cyclic
Reverse polarity protection	complete
Wire breakage protection	yes
<b>Range</b>	60...600 cm
Ultrasound frequency	80 kHz
Repeatability	ī ± 9 mm
Edge lengths of the nominal actuator	100 mm
Approach speed	δ 18 m/s
Pass speed	δ 3.7 m/s

ultrasonic sensor  
diffuse mode sensor  
RU600-M3065-AP8X-H1141

**Wiring accessories**

Type code	Ident no.	Description	Dimension drawing
RKC4.4T-2/TEL	6625013	Connection cable, female M12, straight, 4-pin, cable length: 2 m, sheath material: PVC, black; cULus approval; other cable lengths and qualities available, see <a href="http://www.turck.com">www.turck.com</a>	
WKC4.4T-2/TEL	6625025	Connection cable, female M12, angled, 4-pin, cable length: 2 m, sheath material: PVC, black; cULus approval; other cable lengths and qualities available, see <a href="http://www.turck.com">www.turck.com</a>	