

## Codix 540, totalizer

- High count speed, numerous programming options
- Input pulse shape variable (Schmitt Trigger characteristics)
- Display range 0 to 999,999 with leading zero blanking
- Connection with screw terminal

Robust housing

Large, bright display, 14mm high

NPN or PNP inputs, max. 60 kHz



Wide power supply range

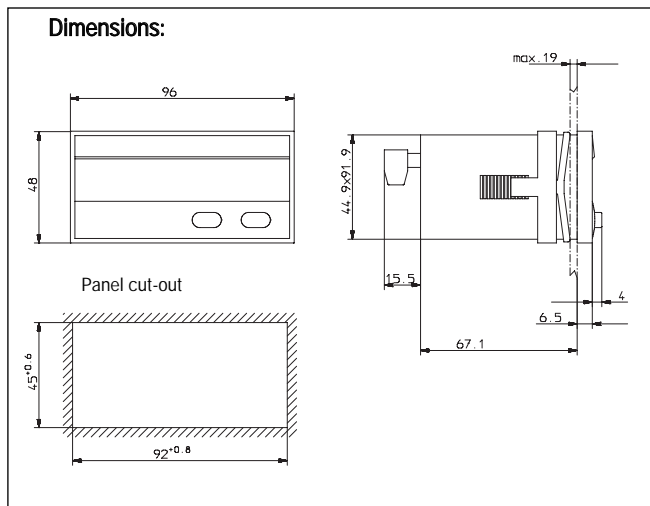
Big keys for use when wearing gloves

### Technical data

Supply voltage ( $U_B$ ):	10 ... 30 V DC, with reverse polarity protection 90 ... 260 V AC
Current consumption:	max. 50 mA, 6 VA
Display:	6 digit red 7 segment LED display; 14 mm high
Data backup:	EEPROM
Housing:	Dimensions 96 x 48 mm according to DIN 43 700; RAL 7021, grey
Polarity of Inputs:	programmable, npn or pnp for all inputs
Input resistance:	appr. 5k $\Omega$
Counting frequency*:	max. 60 kHz, can be damped to 30 Hz, depending on operating mode
Reset time:	5 ms
Input switching level (standard version):	DC-version: Low: 0 ... 0.2 x $U_B$ [V DC] High: 0.6 x $U_B$ ... 30 V DC

	AC-version
	Low 0 ... 4 V DC
	High 12 ... 30 V DC
Input switching level (5 V version):	Low 0 ... 2 V DC High 4 ... 30 V DC
Voltage output for sensors	24 V DC $\pm$ 15 %/100 mA for AC-versions
Ambient temperature:	-20 ... +65 °C, non-condensing
Storage temperature:	-25 ... +70 °C
EMC:	according to EC EMC directive 89/36/EWG
Immunity to interference:	EN 61000-6-4/EN 55011 class B
Emitted interference:	EN 61000-6-2
Protection:	IP65 (front)
Weight:	appr. 150 g

\*for further specifications please refer to the manual

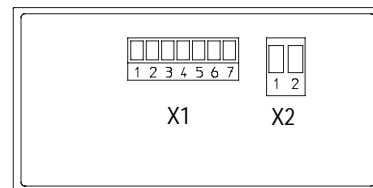


Order code:  
**6.540.012.XX0**

Input switching level  
0 = Standard level  
A = 5 V level

Voltage supply  
0 = 90 ... 260 V AC  
3 = 10 ... 30 V DC

### Connection:



#### Connection X2

Pin	AC-Version	DC-Version
1	90 ... 260 V AC	0 V DC (GND)
2	90 ... 260 V AC	10 ... 30 V DC

#### Connection X1

Pin	AC-Version	DC-Version
1	n.c.	
2	n.c.	
3	Reset	
4	n.c.	
5	INP	
6	GND out	n.c.
7	+24 Vout	n.c.

#### Scope of delivery:

Digital display                      Multilingual operating instructions  
Mounting clip  
Seal