

Energy Management

Split core current sensors

Type CTV1X

CARLO GAVAZZI



- Split core current sensor for retrofit applications
- Accuracy class 1%
- 0.333V standard secondary output

Product description

Split core current sensor with compact dimensions, suitable for retrofit applications when used in combination with EM21-72V energy meter.

How to order **CTV1X 60A 333MV**

Model _____
 Primary current _____
 Secondary output _____

Type Selection

Primary current

60A: 60A primary current input

Secondary output

333MV: 333mV secondary output voltage

Specification

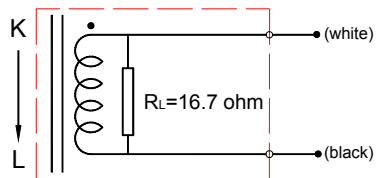
Electrical specifications

Rated Primary Current	60A (1-70A)
50/60Hz	120A max
Current (continuous)	560Ω max
Winding DC resistance at 20°C	
Secondary Output at Rated Current	333mV (resistor inside the CT)
Accuracy	1%
Linearity	0.5%
Phase error at rated current range	≤4°
Operating temperature range	from -40 to 65°C
Storage temperature range	from -45 to 85°C
Dielectric withstand voltage (Hi-pot)	2500V/1mA/1min
Impulse withstand voltage	5kV Peak
Insulation Resistance	DC500V/100MΩ min
Max primary cable system voltage	660V

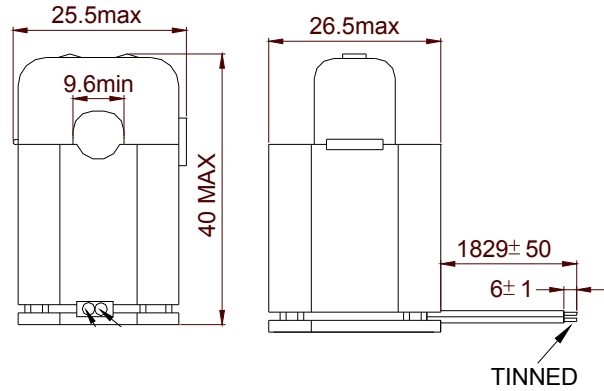
Mechanical specification

Housing material	PP6331
Opening Angle	180 degree
Output terminal	UL1015 22AWG PVC wire
Approx weight	60g
Approvals	CE, cURus

Wiring diagram



Dimensions



Front view

Side view

