

Thin type RTD temperature transducer

Model TH-2A, 5A

NEW!



Input Specification

Pt100Ω (JIS C1604-1997)

Code	Input	Input allowable range
0	-50 to 50°C	-50 to +150% F.S
1	0 to 100°C	
2	0 to 200°C	
3	0 to 300°C	
Y	Other than the above	

For code No.Y limit of specifications
 -50 to 800°C
 Minimum span:100 to 850°C

Output Specification

Code	Output	Load resistance
0	0 to 5V DC	More than 2KΩ
1	1 to 5V DC	
2	0 to 10V DC	More than 4KΩ
3	-10 to 10V DC	Negative output: more than 10kΩ
A	4 to 20mA DC	Less than 550Ω
Y	Other than the above	

For code No.Y limit of specifications
 Voltage output: -10 to 10V DC
 Minimum span: 1 to 20V
 Current output: 0 to 20mA DC
 Minimum span: 1 to 20mA

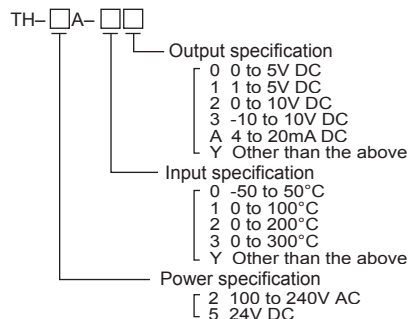
General Specifications

- Base accuracy: $\pm 0.2\%$ F.S (at 25±2°C)
 However, $\pm 0.2\%$ F.S at more than 500°C
- Load resistance variation: $\pm 0.06\%$ F.S
- Power supply variation: $\pm 0.06\%$ F.S
- Temperature characteristic: $\pm 0.02\%$ F.S/°C
- Response time: 50msec TYP (0 → 90%)
- Disconnection detection: Upside (135±15%F.S)
- Front adjustments: More than $\pm 5\%$ F.S (zero, span)
- Insulation resistance: More than 100MΩ at 500V DC
 Between the input and output/power supply
- Dielectric strength: Between the input and output/power supply
 For 1 min. at 1500V AC
- Power supply voltage: 100 to 240V AC $\pm 10\%$
 24V DC $\pm 10\%$
- Consuming current: Less than 20mA (at 100V AC)
 Less than 50mA (at 24V DC)
- Operating ambient temperature: -5 to 50°C
- Operating ambient humidity: Less than 90%RH (No-condensing)
- Storage temperature: Within -10 to +70°C
- Storage humidity: Less than 60%RH (No-condensing)
- Case material: Black PC 94V-2
- Weight: Approx. 80g

Features

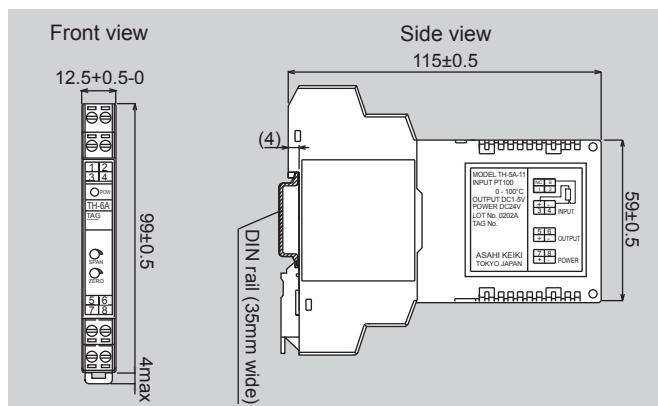
- AC power supply 100 to 240V AC
- DIN rail mounting
- Input/Output/Power supply isolated

Ordering Code

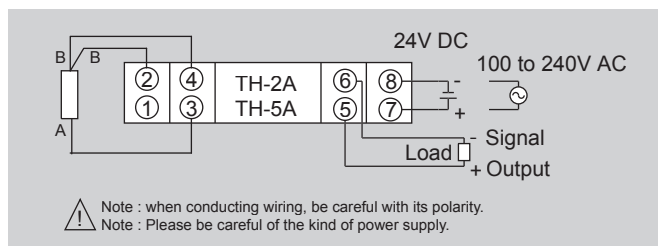


Example : TH- 5 A- 1 0

Dimensions



Connection Diagram



Block Diagram

