

Description



- Motion detector (PIR)
- Automatic lighting control based on presence and brightness
- For outdoor use
- For installation on walls and ceilings
- 360° detection angle
- Sensor head can be turned by $\pm 90^\circ$ horizontally, by 45° downwards and by 90° upwards
- Adjustable brightness switching value and switch-off delay
- Sensitivity can be reduced to limit detection area
- Area limit via lens attachment
- Mixed light measurement suitable for the control of fluorescent, incandescent, halogen lamps and LEDs
- Zero-cross switching for relay-saving switching and high lamp loads
- Teach-in of current brightness value possible
- Pulse function
- Test function for checking detection area
- Installation on flush-mounted socket possible (60 mm)
- Single-handed plug-in installation
- Instant start-up possible via factory preset
- Controls are place protected
- Terminal for protective earth conductor

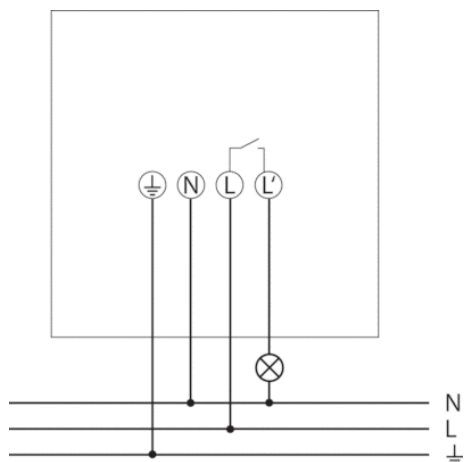
Technical data

Operating voltage	230 V AC
Frequency	50 Hz
Stand-by consumption	~0,5 W
Light measurement	Mixed light measurement
Number of channels	1
Installation type	Wall and ceiling installation
Setting range brightness	5 – 1000 lx
Switching capacity light	10 A (at 230 V AC, $\cos \varphi = 1$), 6 A (at 230 V AC, $\cos \varphi = 0.6$), 3 AX (at 230 V AC, $\cos \varphi = 0.3$)
Detection angle	360°
Installation height	2 – 4 m
Light switch-off delay	1 s-20 min
Incandescent lamp load	2300 W
Fluorescent lamp load (conventional) not corrected	400 VA
Fluorescent lamp load (conventional) parallel-corrected	400 VA 42 μ F
Fluorescent lamp load (conventional) series-corrected	400 VA
Fluorescent lamp load (electronic ballast)	600 W
Energy saving lamps	150 W
Inrush current	max. 300 A / 200 μ s
LED lamp < 2 W	25 W
LED lamp 2-8 W	90 W
LED lamp > 8 W	100 W
Lamps	Incandescent/halogen lamps, fluorescent lamps, Energy saving lamps, LEDs

Article number: 1010510

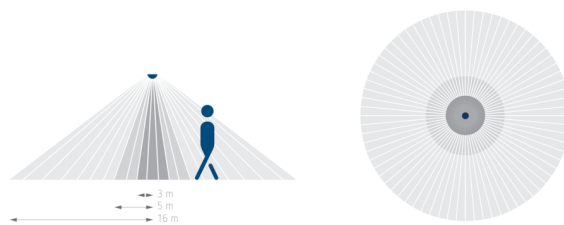
Ambient temperature	-25 °C ... +45 °C
Protection class	II
Type of protection	IP 55

Connection example

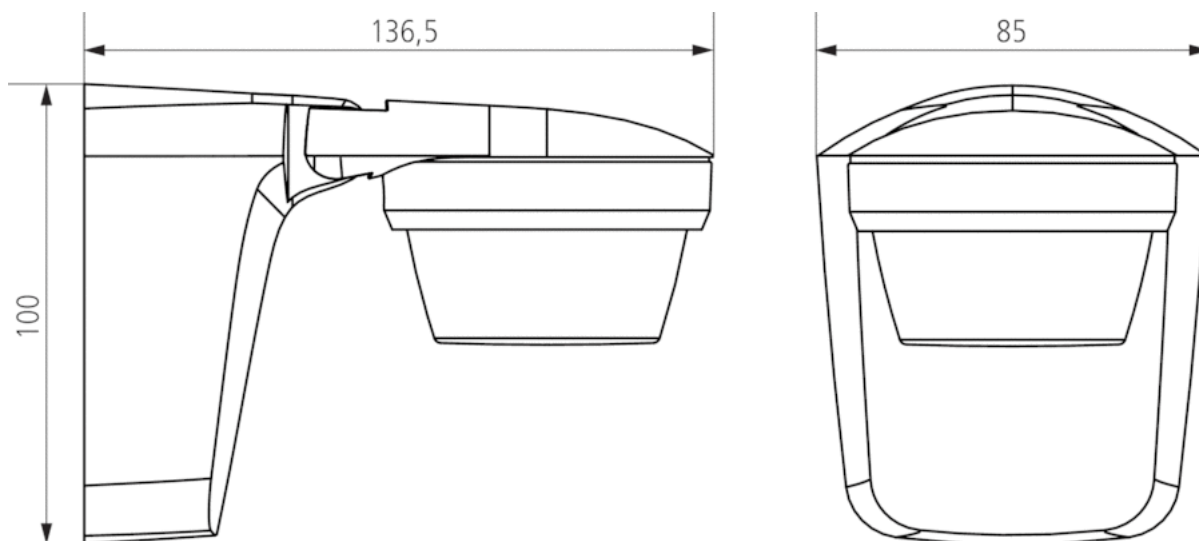


Detection range

Mounting height (A)	Head on to (r)	Diagonally (t)
2 m	4 m	15 m
2,5 m	5 m	16 m
3 m	5 m	16 m
3,5 m	5 m	10 m
4 m	3 m	8 m



Scale drawings

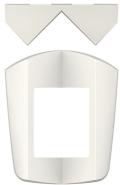


Article number: 1010510

Accessories

Corner angle theLuxa S WH

- Article number: 9070902
[Details ▶ www.theben.de](http://www.theben.de)



Spacer theLuxa S WH

- Article number: 9070906
[Details ▶ www.theben.de](http://www.theben.de)

