



TPR-2SL

Single phase power regulator

40A 55A 70A 90A 110A 130A 160A 200A



■ Feature

- 60(Width) mm (40 A, 55 A, 70 A),
85(Width) mm (90 A, 110 A, 130 A, 160 A, 200 A)
Ultra slim size
- Improved safety by separation of power supply of circuit and power supply of load (Application of Free Voltage)
- Various control methods available depending on loads
- 2-kind alarm for detailed monitoring (caution/warning)
- Various protection functions (Short circuit of partial heater, Overcurrent, Overheating of heat sink, Short circuit of SCR etc.)

■ Specification

Model	Low	TPR-2SL040L	TPR-2SL055L	TPR-2SL070L	TPR-2SL090L	TPR-2SL110L	TPR-2SL130L	TPR-2SL160L	TPR-2SL200L
	High	TPR-2SL040H	TPR-2SL055H	TPR-2SL070H	TPR-2SL090H	TPR-2SL110H	TPR-2SL130H	TPR-2SL160H	TPR-2SL200H
Power supply voltage	Low	100 – 240 V a.c.							
	High	380 – 440 V a.c.							
Circuit input power	100 – 240 V a.c.				100 – 240 V a.c.				
	6 W		16 W		20 W				
Power frequency	50 Hz / 60 Hz (Dual usage)								
Rated current (40°C Standard)	40 A	55 A	70 A	90 A	110 A	130 A	160 A	200 A	
Fuse installation	None (selectable option)			Built-in fast acting fuse					
Applying load	Resistive load								
Control Input	Current input	4 – 20 mA d.c. (Impedance : 100 Ω)							
	Voltage input	1 – 5 V d.c. (Option : 0 – 10 V d.c.)							
	Contact input	ON/OFF							
	External V.R	External volume (10 kΩ)							
Control method	Phase control, Fixed Cycle control, Variable Cycle control, ON/OFF control								
Movement type	Soft start / Soft up, down								
Output voltage	More than 98 % of the power supply voltage (In case of maximum current input)								
Cooling method	Natural cooling	Forced cooling	Natural cooling	Forced cooling					
Display method	Display by LED								
Insulation resistance	Min 100 MΩ (Base on 500 V d.c. mega)								
Output control range	0 ~ 100 %								
Dielectric strength	3,000 V a.c. 50/60 Hz for 1 min								
Line noise	Noise by noise simulator (3,000 V)								
Ambient temperature	20 ~ 80 °C (Without condensation)								
Ambient Humidity	30 ~ 85 % RH								
Storage temperature	-25 °C ~ 70 °C								
Weight	1,388 g	1,478 g	2,820 g	3,100 g					

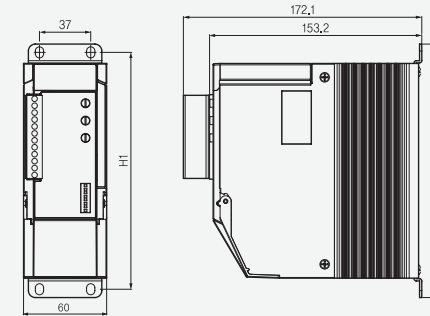
■ Suffix code

※ Circuit and FAN need 100 – 240 V AC voltage power separately.

Model	Code	Information	
TPR-2SL	<input type="checkbox"/> <input type="checkbox"/> <input type="checkbox"/> <input type="checkbox"/>	Slim type 1-phase power regulator	
Rated current	040	40 A	
	055	55 A	
	070	70 A	
	090	90 A	
	110	110 A	
	130	130 A	
	160	160 A	
Power supply voltage	L	100 – 240 V a.c. (Low)	
	H	380 – 440 V a.c. (High)	
	Options	C	RS485
		F	Built-in fuse type (For option 50 / 55 / 70 A)

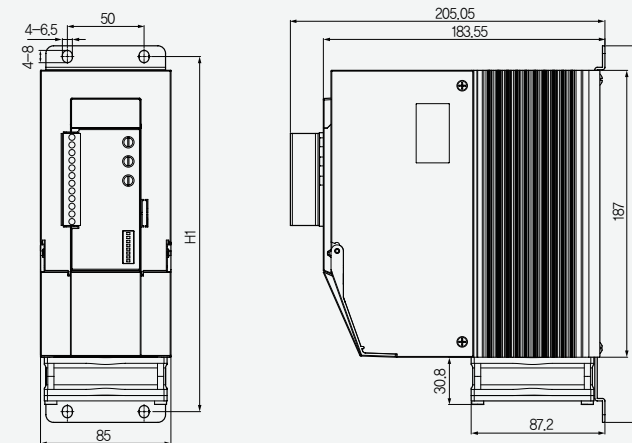
■ Appearance

- 40 A / 55 A / 70 A



	H1	H2
40A / 55A	171 mm	183 mm
70 (Cooling fan included)	191 mm	203 mm

- 90 A / 110 A / 130 A / 160 A / 200 A



	H1	H2
90 (Cooling fan excluded)	205 mm	219 mm
110A/130A/160A/200A	231.5 mm	245.5 mm