

Thin type signal transducer for minimal inputs

MODEL TH-2F, 5F

NEW!



Input Specification

Code	Input	Input resistance	Input allowable range
5	0 to 5mV DC	More than 1MΩ	-50 to +150% F.S
6	0 to 10mV DC		
7	0 to 50mV DC		
8	0 to 60mV DC		
9	0 to 100mV DC		
B	0 to 10μA DC	1kΩ	
C	0 to 100μA DC	500Ω	
D	0 to 200μA DC		
Y	Other than the above		

For code No.Y limit of specifications
 Voltage input: -100 to 100mV DC
 Minimum span : 5 to 200mV
 Current input: -5 to 5mA DC
 Minimum span : 10μA to 10mA

Output Specification

Code	Output	Load resistance
0	0 to 5V DC	More than 2KΩ
1	1 to 5V DC	
2	0 to 10V DC	More than 4KΩ
3	-10 to 10V DC	Negative output: more than 10kΩ
A	4 to 20mA DC	Less than 550Ω
Y	Other than the above	

For code No.Y limit of specifications
 Voltage output: -10 to 10V DC
 Minimum span: 0.06 to 20V
 (Base accuracy: ±0.15% F.S and temperature characteristic:
 ±0.03% F.S/°C for a span of less than 1V)
 Current output: 0 to 20mA DC
 Minimum span: 1 to 20mA

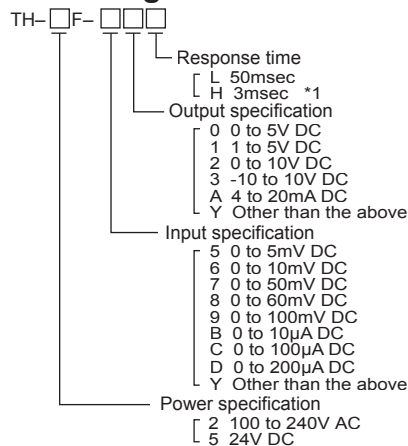
General Specifications

Base accuracy: ±0.1% F.S (at 25±2°C)
 Load resistance variation: ±0.06% F.S
 Power supply variation: ±0.06% F.S
 Temperature characteristic: ±0.02% F.S/°C
 Response time: 50 or 3msec TYP (0 → 90%)
 Front adjustments: More than ±5% F.S (zero, span)
 Insulation resistance: Between the input and output/power supply
 More than 100MΩ at 500V DC
 Dielectric strength: Between the input and output/power supply
 For 1 min. at 1500V AC
 Power supply voltage: 100 to 240V AC ±10%
 24V DC ±10%
 Consuming current: Less than 20mA (at 100V AC)
 Less than 50mA (at 24V DC)
 Operating ambient temperature : -5 to 50°C
 Operating ambient humidity : Less than 90%RH (No-condensing)
 Storage temperature : Within -10 to +70°C
 Storage humidity : Less than 60%RH (No-condensing)
 Case material : Black PC 94V-2
 Weight : Approx. 80g

Features

- AC power supply 100 to 240V AC
- DIN rail mounting
- Input/Output/Power supply isolated
- Can change input and output by dip switch

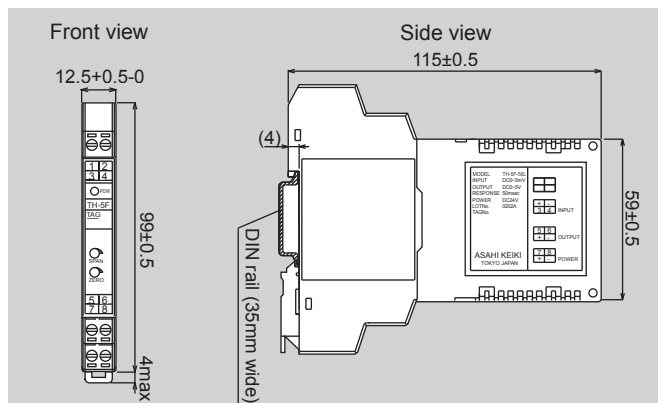
Ordering Code



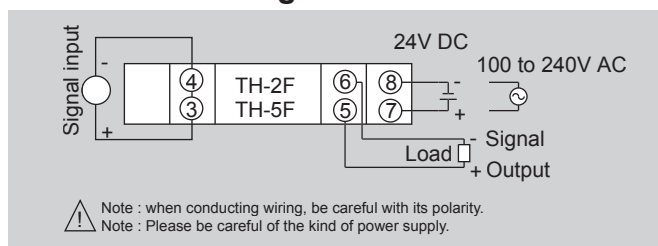
*1 At AC power, the current output of 3msec responses cannot be chosen.

Example : TH- 5 F- 5 0 L

Dimensions



Connection Diagram



Block Diagram

